

# Socketed charger Datasheet

Ideal for fleet service operators and workplace charging.  
EVS7GGR-01 model.

Commercial grant approved, for more information see:  
[www.gov.uk/transport/low-emission-and-electric-vehicles](http://www.gov.uk/transport/low-emission-and-electric-vehicles)



-  Manageable, smart and secure business charging solution
-  Quick and easy installation, with UK based technical support
-  3 year warranty & DEKRA certified
-  Compatible with all electric and hybrid plug-in vehicles

- Features Wi-Fi/LAN+4G+RFID
- Full Smart! functionality
- Dynamic charging - up to 7.4 kW (32A)
- No earth rod required - integrated open PEN conductor protection
- Safe - integrated Type A RCD
- OCPP 1.6j connectivity - free lifetime over-the-air updates
- Type 2 socket with auto-lock
- Commercial grant approved
- Single and Twin stands available



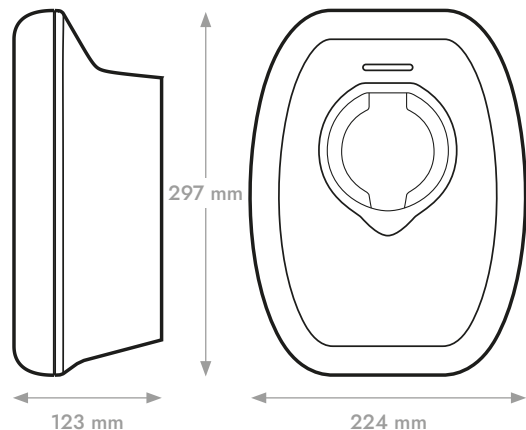
EVS7GGR shown mounted to twin charger stand (EVASTAND12T)

View the full range at [syncev.co.uk](http://syncev.co.uk)

## SOCKETED RANGE FEATURES

<b>CODE :</b>	<b>EVS7GGR-01</b> (WI-FI / LAN / 4G / RFID)
<b>TYPE :</b>	SOCKETED
<b>SOCKET/PLUG :</b>	TYPE 2 SOCKET WITH AUTO LOCK
<b>KW :</b>	7.4KW 32A MODE 3
<b>MIN CHARGE CURRENT :</b>	CONFIGURABLE, 6 - 32A
<b>ELECTRICAL INPUT :</b>	220-240V, 50-60Hz, SINGLE PHASE
<b>COLOUR :</b>	BASE & TRIM - RAL 9005 (BLACK) BODY - RAL 7016 (GRAPHITE GREY)
<b>CABLE MANAGEMENT :</b>	BUILT IN CABLE WRAP
<b>PEN PROTECTION :</b>	YES, IN-BUILT EARTH DISCONNECTION
<b>EARTH ROD :</b>	NOT REQUIRED
<b>RCD PROTECTION :</b>	YES, 6mA DC, 30mA TYPE-A, IN-BUILT
<b>OVERLOAD AND FAULT PROTECTION :</b>	OVER CURRENT AND FAULT PROTECTION
<b>ELECTRICAL CLASS :</b>	CLASS 1, HOUSING CLASS 2
<b>LOAD BALANCING :</b>	VIA OPTIONAL ACCESSORY (ORDER SEPARATELY, CODE : EVA120CT1)
<b>CONSUMER UNIT REQUIREMENTS :</b>	40A MCB OR 30mA TYPE-A RCD (DEPENDENT ON CABLE TYPE &/OR ROUTE)
<b>TERMINALS :</b>	FIRST FIX PLUG CONNECTOR
<b>INDICATOR :</b>	RGB LED AND BUZZER
<b>INDICATOR MODES :</b>	BLUE - STANDBY, FLASHING BLUE - PREPARING, GREEN - CHARGING, YELLOW - NO NETWORK, RED - ERROR
<b>HOUSING :</b>	UV STABILISED POLYCARBONATE
<b>WALL FIXING :</b>	4 POINT WITH HORIZONTAL AND VERTICAL ADJUSTMENT, SUPPLIED FIXING HOLE TEMPLATE. FIXING HOLE CENTRES : 110 HORIZONTAL, 145 VERTICAL (MM)
<b>IP / IK RATING :</b>	IP55 / IK10

<b>SOC MODULE :</b>	AI ESP32-S SOC
<b>WI-FI &amp; ETHERNET :</b>	2.4Ghz 802.11 B/G/N/E/I & RJ45
<b>WI-FI SECURITY :</b>	WPA/WPA2/WPA2-ENTERPRISE/WPS
<b>BLUETOOTH :</b>	4.2 BR/EDR and BLE
<b>RFID :</b>	SUPPORTS ISO14443, READS M1 CARDS
<b>CONNECTION PROTOCOL :</b>	OCPP 1.6j
<b>4G DATA :</b>	3 YEARS INCLUDED, WHEN USED WITH SYNCEV. TOP-UP ONLINE TO CONTINUE SERVICE AFTER 3 YEARS
<b>APP AND BACK OFFICE :</b>	SYNCEV (SUPPORTS IN-APP PAYMENT*)
<b>OPERATING TEMP :</b>	-25 TO +40°C
<b>SOFTWARE &amp; FIRMWARE UPGRADE :</b>	OVER-THE-AIR
<b>WARRANTY :</b>	3 YEARS
<b>STANDARDS &amp; APPROVALS :</b>	IEC61851-1, IEC61439-7, IEC 62955, IC 61851-21-2, BS EN62196, EN301 511, EN 301 908-1/2/13, EN 301 489-3, EN 300 330, EMC COMPLIANT, CE, UKCA, DEKRA CERTIFIED
<b>SUPPLIED ACCESSORIES :</b>	5X BASE FIXING CAPS, 5X ASSEMBLY LID BOLTS, 1X BLANKING PLUG AND 1X 25MM COMPRESSION GLAND, USER-SIDE CONNECTOR, CORD GRIP AND 2X CORD GRIP ASSEMBLY SCREWS
<b>DIMENSIONS (MM) :</b>	297 (H) X 224 (W) X 123 (D)
<b>ADDITIONAL :</b>	BUILT-IN SPIRIT LEVEL
<b>ACCESSORIES :</b>	SINGLE CHARGER STAND (EVASTAND12S) TWIN CHARGER STAND (EVASTAND12T) LOAD MANAGEMENT KIT (EVA120CT1) CHARGING CABLES (VARIOUS OPTIONS, SEE SYNCEV.CO.UK)



\*Email our team at [workplace@syncev.co.uk](mailto:workplace@syncev.co.uk) for more information