



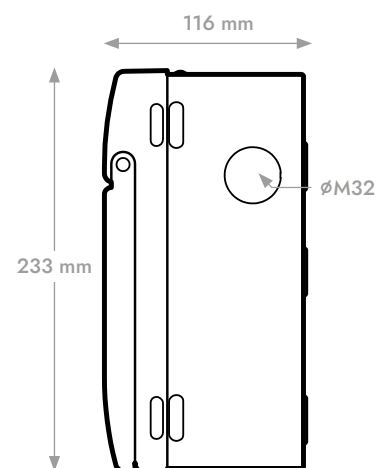
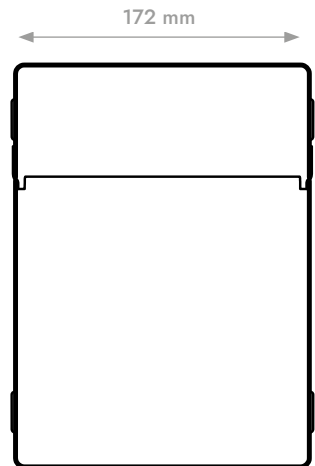
EV circuit protection Datasheet - IP20 internal

Designed specifically for use with EV chargers to allow for internal wiring applications.
18th Edition Amendment 2 compliant.



RANGE FEATURES & SPECIFICATIONS

CODES :	CFUEV1A	CFUEV2	CFUEV1RDA
POPULATED WITH :	1x 40A 30MA DOUBLE POLE TYPE A RCD, 1x TYPE 2 SPD, 1x 32A MCB FOR SPD, 1x 40A B CURVE MCB	1x 100A MAIN SWITCH, 1x TYPE 2 SPD, 1x 32A MCB FOR SPD, 1x 40A B CURVE MCB	1x 40A 30MA TYPE A RCBO DOUBLE POLE, 1x 100A MAIN SWITCH, 1x TYPE 2 SPD, 1x 32A MCB FOR SPD
INCOMER :	40A 30MA TYPE A RCD	100A MAIN SWITCH	100A MAIN SWITCH
MODULES / WAYS :		5 MODULE / 5 WAYS	
IP RATING / UV STABILITY:		IP20 / UV STABLE	
COMPLIANCE :	18TH EDITION AMENDMENT 2 BS7671		
STANDARDS :	MAIN SWITCH IEC/EN 60947-3, MCB IEC/EN 60898, RCD IEC/EN 61008, RCBO IEC/EN 61009-01, SPD IEC 61643-11, ENCLOSURE IEC 61439-3		
CONSTRUCTION & COLOUR :	1 MM STEEL ST16, RAL 9016 GLOSS WHITE		
COVER BLANKS :	1		
CUTOUPS & KNOCKOUTS :	TOP/BOTTOM M20 x2 M32 x1, SIDES M32 x1, REAR 37x68MM x1		
WEIGHT :	2.28 KG		



View the full range at syncev.co.uk